

## R-GPBs

PROFIBUS DP Slave gateway module GILOGIK II



### Main applications

- Food industry
- Filling lines
- Extrusion lines
- Process control
- Data acquisition systems
- Auxiliary machines
- Automation systems
- Remote controls

### Main characteristics

- Installation on R-BUS(x) backplane
- DB9 female connector
- 24VDC power supply
- Controls 16 GILOGIK II modules

### PROFILE

R-GPBs is a communication module with PROFIBUS DP protocol for the GILOGIK II family.

It has 1 PROFIBUS slave channel to control 1 GILOGIK II node with a maximum of 16 I/O modules.

It interfaces with any device equipped with PROFIBUS DP Master interface. Maximum communication speed is 12 Mbit/s, self-configuring.

The slave nodes are numbered from 1 to 124 for control of a complex I/O system and complete control automation applications.

R-GPBs provides power to the entire GILOGIK II node.

Line termination resistances are external on the standard PROFIBUS connector.

The GILOGIK II node is configured by means of the GSD file

### TECHNICAL DATA

**PROTOCOL**  
PROFIBUS DP V0

**FUNCTION**  
Connects R-GPB gateway to a DP Master devicer

**BAUD RATE**  
Software self-synchronization from 9.6 to 12,000 Kbit/s

**CONNECTOR**  
9 pin type DB, female

**NODE ADDRESS**  
HW 1..99 with 2 rotary switches  
SW 1..124 with specific message

**I/O DIMENSIONS**  
Input-Output: depend on configuration, max I/O 224 bytes

**MSG SUPPORTATED**  
Data\_Exchange, Slave\_Diag, Set\_Prm, Chk\_Cfg, Get\_Cfg, Global\_Control, Set-Slave-Add

**GSD FILE**  
RGPB0B24.gsd

**CABLING**  
Distance: 1200m a 9,6 Kbit/s;  
100m a 12.000 Kbit/s

Wire: PROFIBUS EN50170  
Impedance: 150 Ohm a 2 conductors  
Connectors: 9 pin M SUB D  
External line termination, on connector

**POWER SUPPLY**  
Voltage: 24Vdc  $\pm$  25%  
Current: 2A max  
Connector: 2 pin F, spring contacts, cage clamp

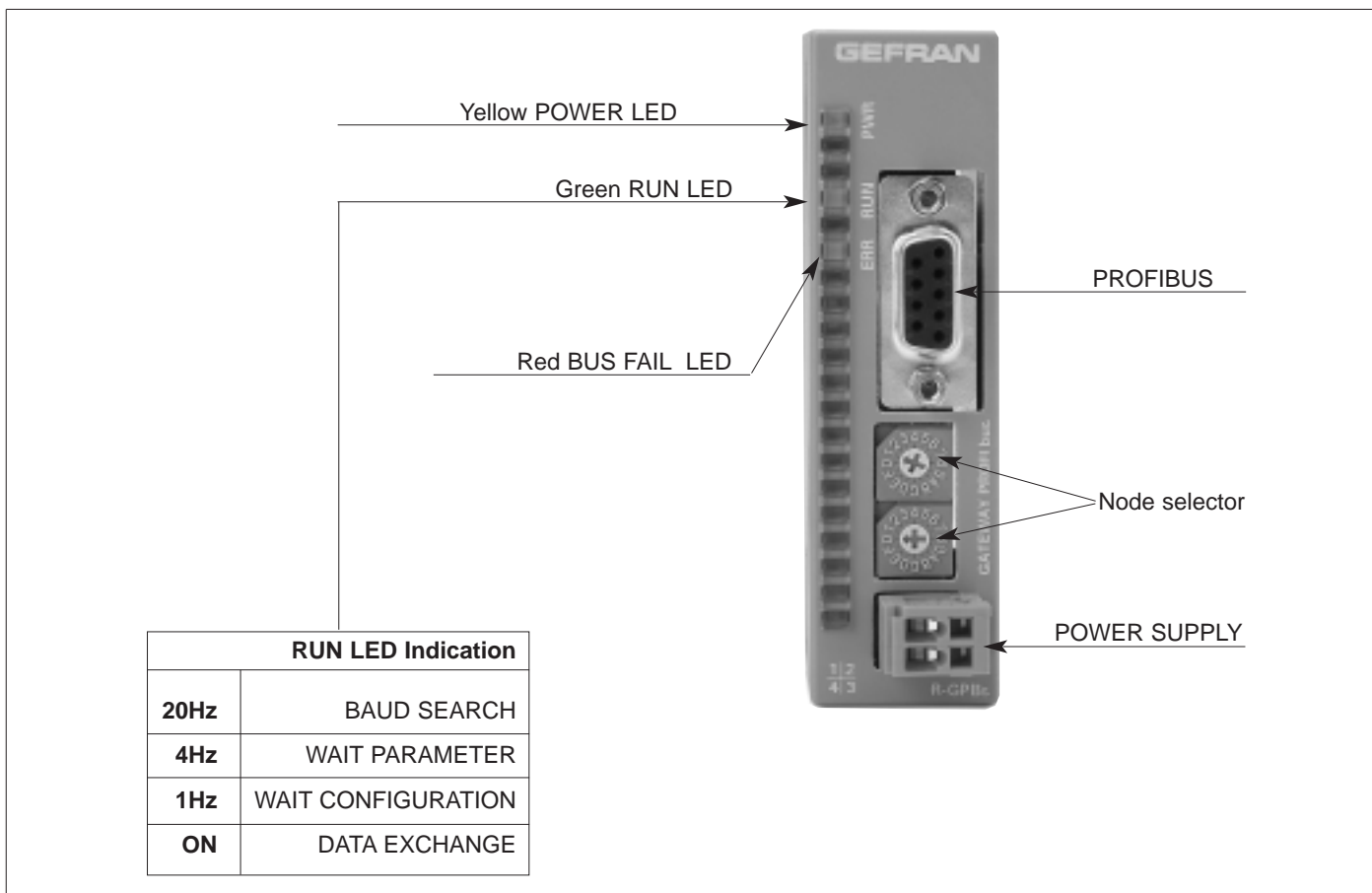
**DIAGNOSTICS**  
Yellow POWER LED: Powered.  
Green LED: Operating  
Red LED: error of communication

**DIMENSIONS AND WEIGHT**  
Dimensions: 92x90x25,4mm  
Weight: 150g.  
Fastening: snaps on R-BUS(x)  
Protection level: IP20

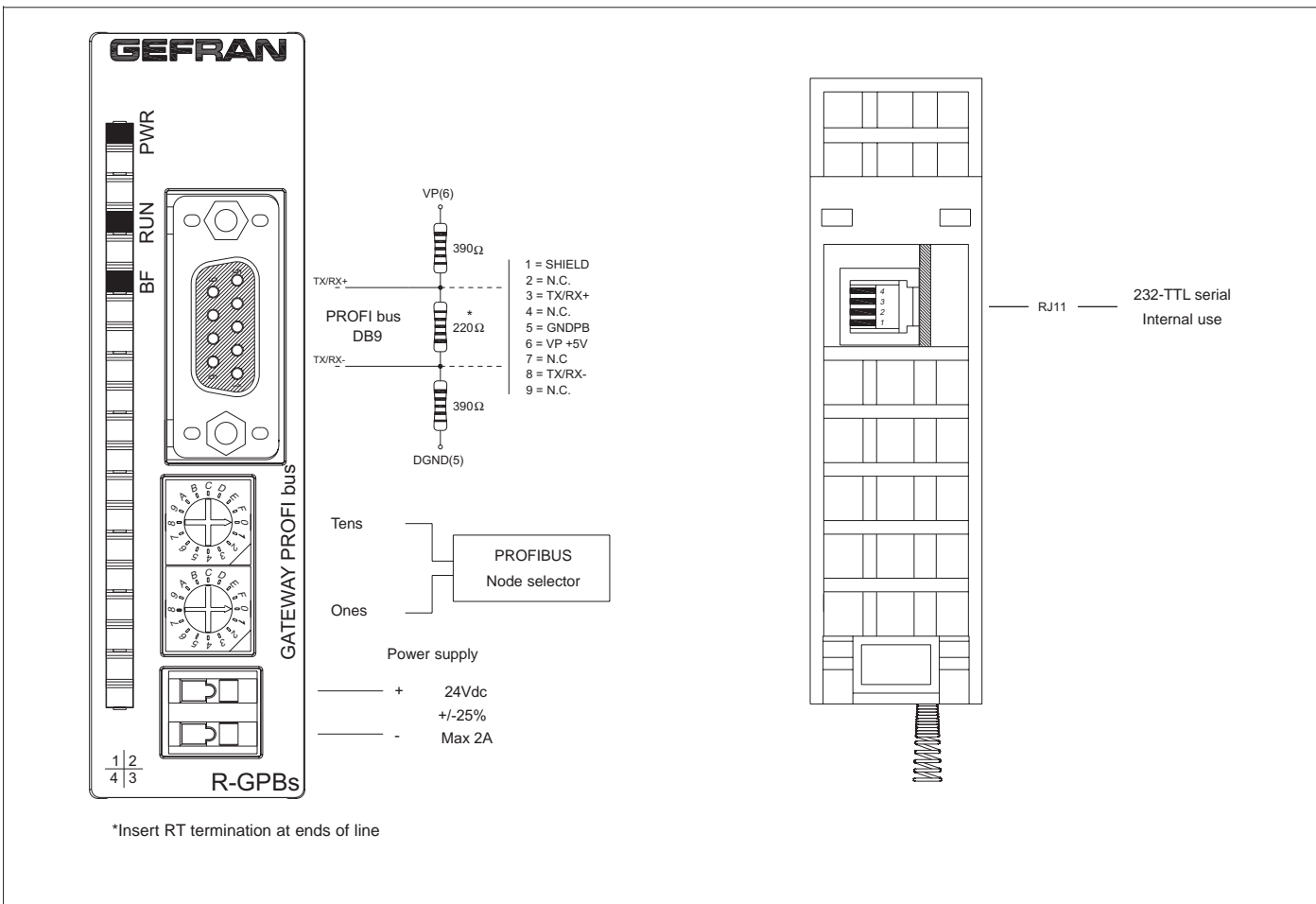
**ENVIRONMENTAL SPECIFICATIONS**  
Working temperature: 0...50°C  
Storage temperature: -20...70°C  
Humidity: max. 90% RH non-condensing

**CERTIFICATIONS**  
CE, UL

## FRONT PANEL



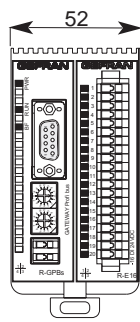
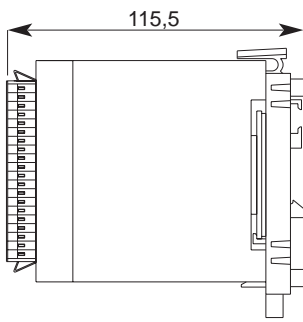
## CONNECTIONS AND CONFIGURATION



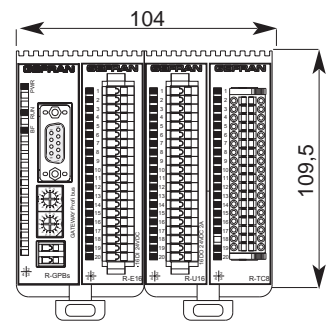
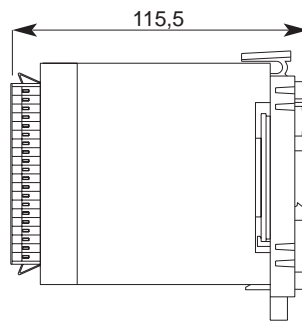
\*Insert RT termination at ends of line

# DIMENSIONS

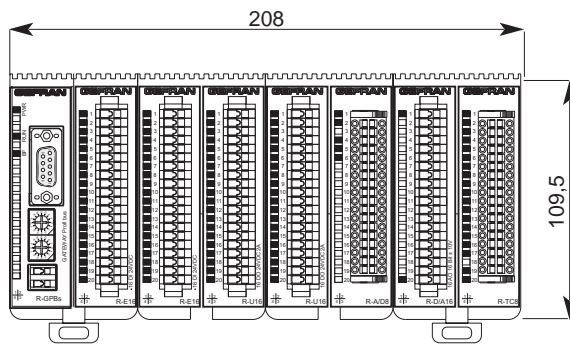
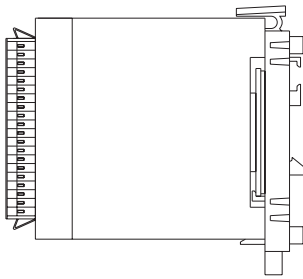
## 2 SLOT



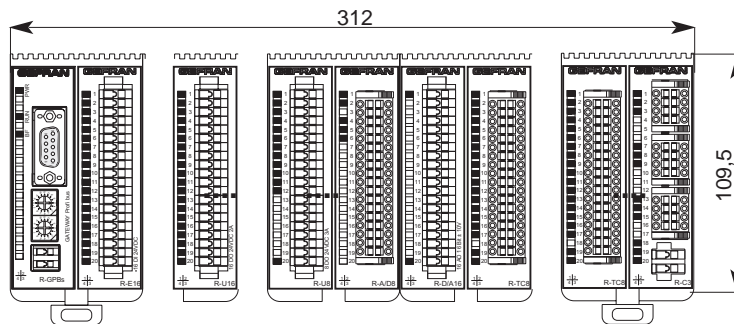
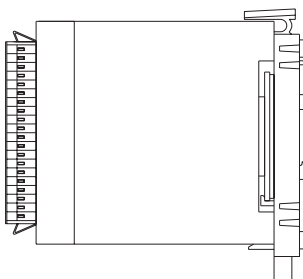
## 4 SLOT



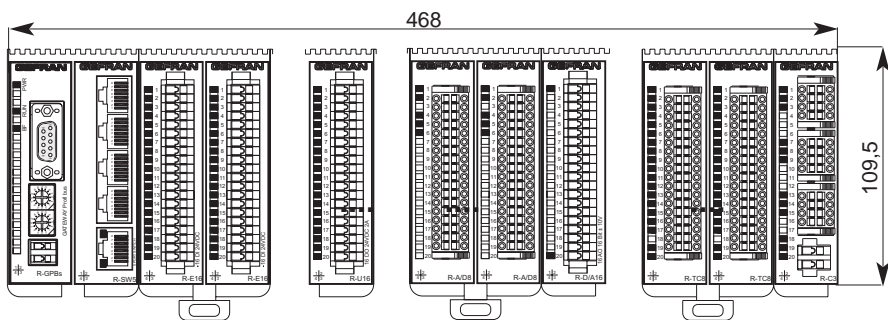
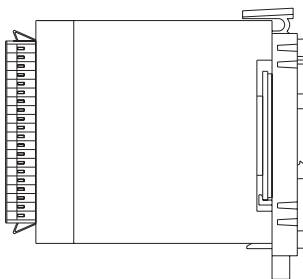
## 8 SLOT



## 12 SLOT

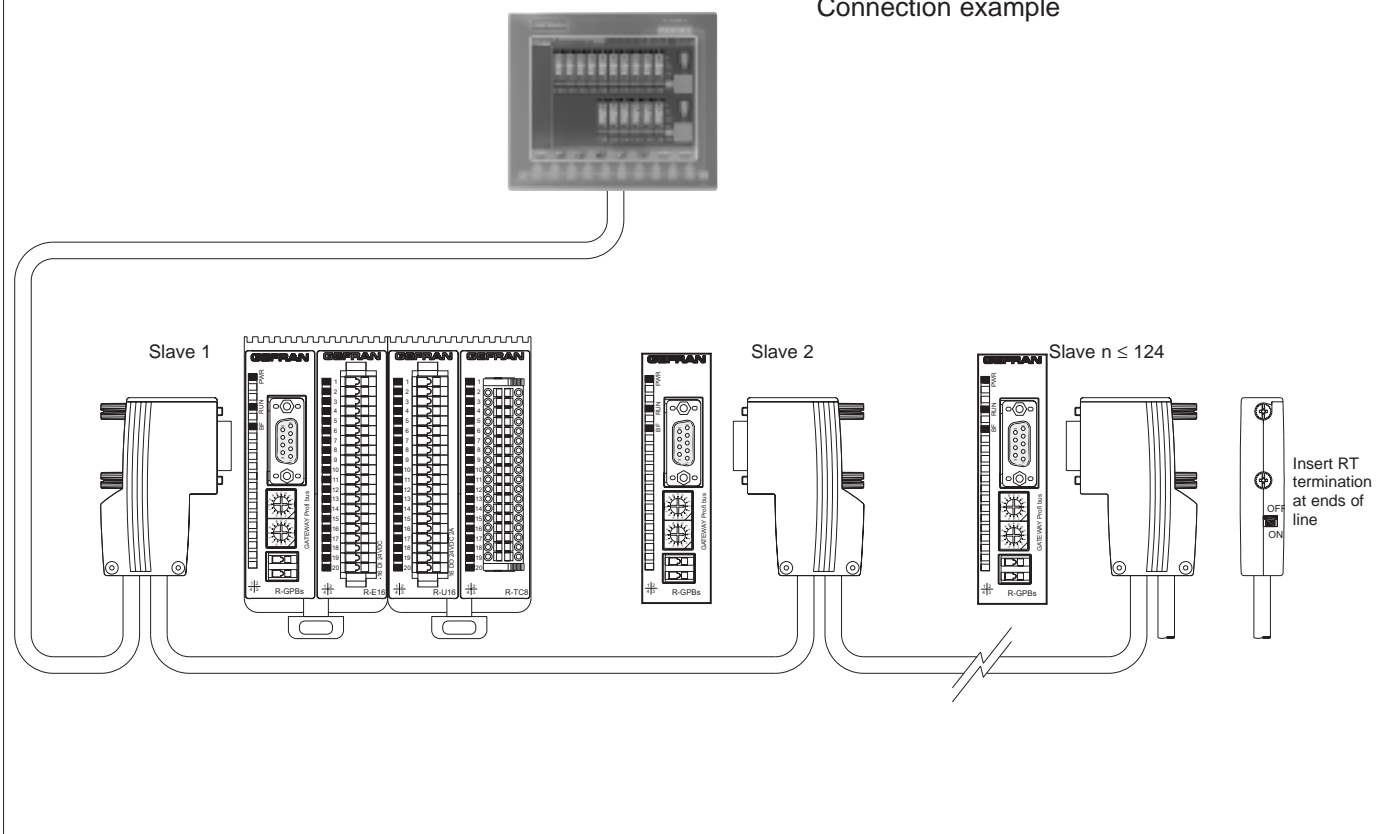


## 18 SLOT

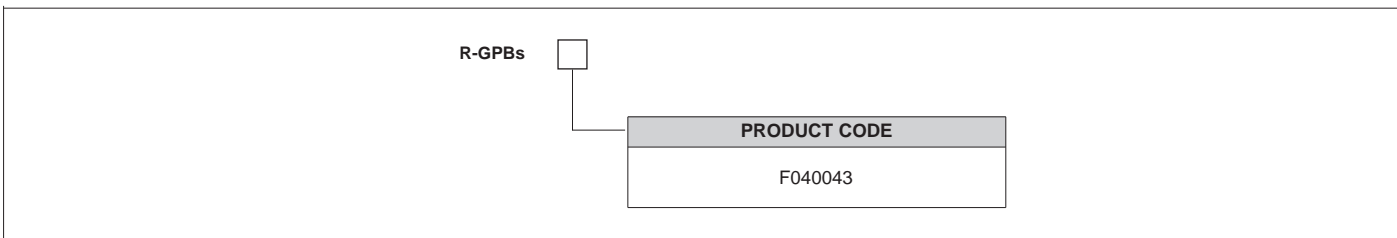


## INSTALLATION

Connection example



## ORDER CODE



GEFRAN spa reserves the right to make aesthetic or functional changes at any time and without notice



Conformity UL508 File no. E198546



The instrument conforms to the European Directives 2004/108/CE and 2006/95/CE with reference to the generic standards:  
 - EN 61000-6-2 (immunity in industrial environments) - EN 61000-6-3 (emission in residential environments) - EN 61010-1 (safety)  
 - EN 61161-2 (product standard). The Declaration of conformity is available on GEFTRAN web: [www.gefran.com](http://www.gefran.com)