

GEFRAN

AR2

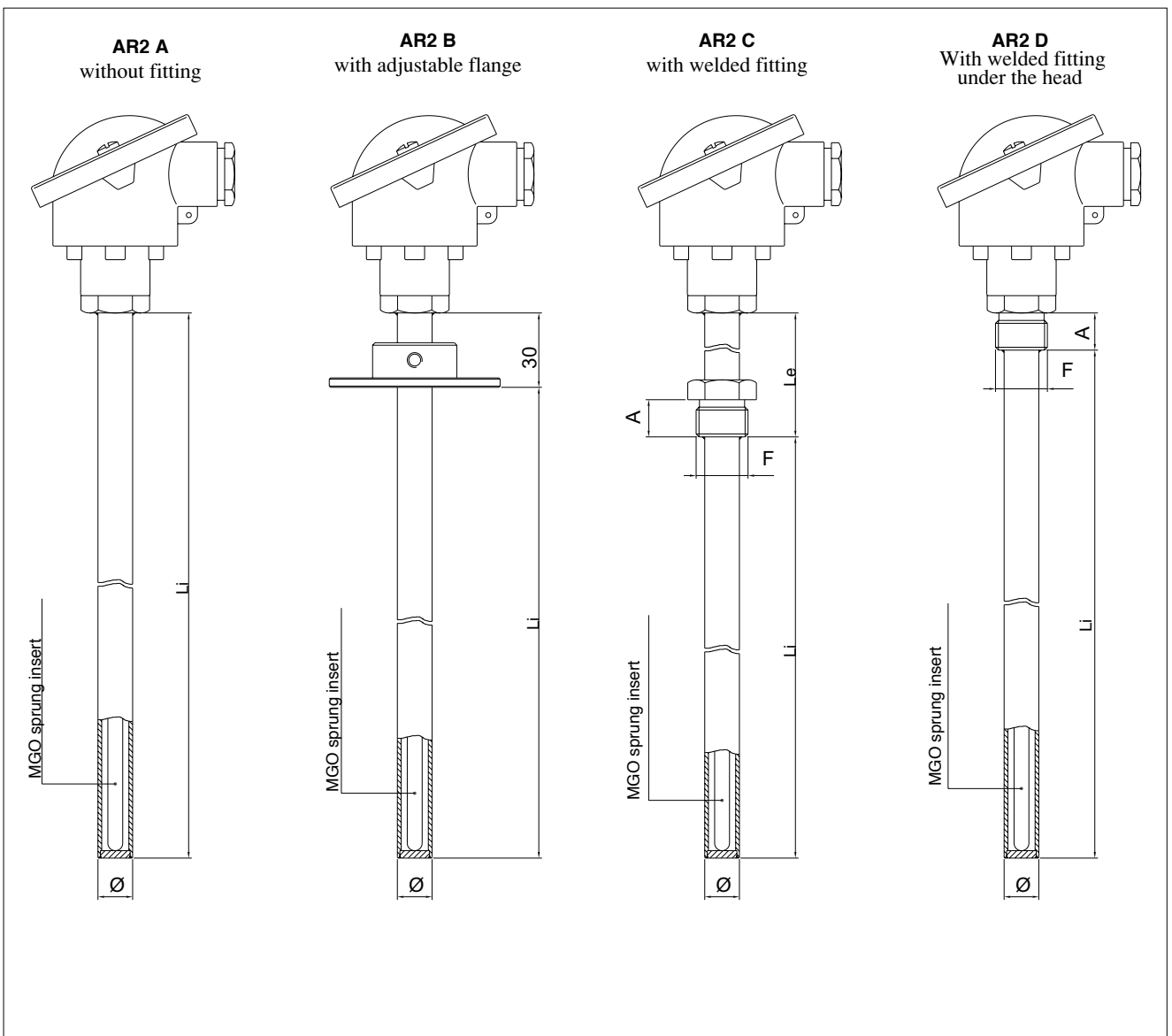
Resistance thermometer with interchangeable insert for measure in industrial processes and furnaces



Main features

- Amplified output signal
- Temperature limits: -80 ... +600°C
- Tolerance: UNI 7937, IEC 751 standards:
 - ± 0.15° C a 0° C for class A (1/2 DIN)
 - ± 0.30° C a 0° C for class B (1 DIN)
 - ± 0.10° C a 0° C for class 1/3 DIN
- Insulation: > 100 MOhm for voltage values from 10 to 100 Vcc
- PT100 wire-wound resistance thermometer
- Mineral insulated interchangeable insert
- Application versatility

MODELS



ORDER CODE

CODE

A R 2 | | | | | | | | 0 | 0 0 0 X | | | | X | | | | | | A |

Model	
Without fitting	A
With adjustable flange	B
With welded fitting	C
With welded fitting under the head	D

Element + Nr. of Wires	
Single 2 wires	1
Single 3 wires	2

Precision Class	
PT100 class A (1/2 DIN)	A
PT100 class B (1 DIN)	B
PT100 class (1/3 DIN)	C

Connection Head	
DIN B	C
DIN BUS	E
EEX d IIC 2GD	F
CEAA	H
DIN BUZ - H	I

Sheath Material	
AISI 304	A
AISI 310	B
AISI 316	C
INCONEL 600	F

Sheath Diameter (mm)	
10	K
12	L
14	M
16	O
17.2 (3/8")	P
21.3 (1/2")	Q
26.7 (3/4")	T

Connection Thread *		
3/8" GAS	"A"= 15mm	C
1/2" GAS	"A"= 15mm	D
3/4" GAS	"A"= 18mm	E
1" GAS	"A"= 18mm	F
3/8" NPT		I
1/2" NPT		J
3/4" NPT		K
1" NPT		L

(*) To be shown for C model only

Connection Material / flange		
300 Series Stainless Steel	2	*
Aluminium	4	**
Carbon Steel	5	**

(*) For fittings only
(**) For flanges only

Certificates	
A	Conformity Report
R	Calibration Report
T	SIT Certificate

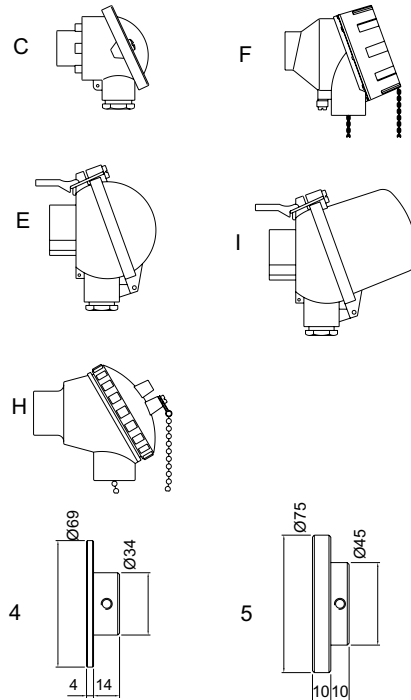
LENGTHS AND ACCESSORIES

Type of Transmitter	
A	4 ÷ 20mA

Li = Immersion Length (mm)	
Standard length from 100 to 2000mm with 50mm step	

Le = Extension Length (mm) *	
Standard length from 35 to 200mm with 10mm step	
(*) Available for AR2C only	

Temperature range in which the calibration has to be made			
min T		max T	
	°C		°C
	4mA		20mA



Mod. C - D	
MOUNT (F)	A (mm)
G 3/8	15
G 1/2	15
G 3/4	18
G 1	20
3/8 NPT	16
1/2 NPT	20
3/4 NPT	20
1 NPT	25

Availability of Mounts /Sheathing Diameter							
MOUNT (F)	ø10	ø12	ø14	ø16	ø17.2	ø21.3	ø26.7
G 3/8	x	x	-	-	-	-	-
G 1/2	x	x	x	x	-	-	-
G 3/4	x	x	x	x	x	x	-
G 1	x	x	x	x	x	x	x
3/8 NPT	x	x	-	-	-	-	-
1/2 NPT	x	x	x	x	-	-	-
3/4 NPT	x	x	x	x	x	x	-
1 NPT	x	x	x	x	x	x	x

Sensors amplifiers are manufactured in compliance with:
- EMC 2004/108/CE compatibility directive
- RoHS 2002/95/CE directive

Electrical installation requirements and Conformity certificate are available on our web site: www.gefran.com

GEFRAN spa reserves the right to make any kind of design or functional modification at any moment without prior notice

GEFRAN

GEFRAN spa
via Sebina, 74
25050 PROVAGLIO D'ISEO (BS) - ITALIA
ph. 0309888.1 - fax. 0309839063
Internet: <http://www.gefran.com>

DTS_AR2_07-2012_ENG